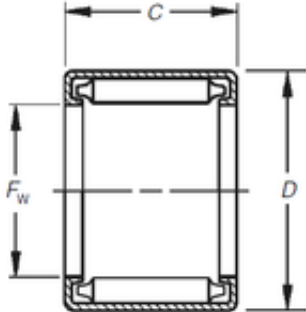




Timken B-2-1/2-5 needle roller bearings



Bearing No. B-2-1/2-5

Size	3.97x7.142x7.92 mm
Bore Diameter	3,97 mm
Outer Diameter	7,142 mm
Width	7,92 mm
Fw	3,97 mm
D	7,142 mm
C	7,92 mm
Weight	0,001 Kg
Basic dynamic load rating (C)	2,58 kN
Basic static load rating (C0)	2,8 kN
(Grease) Lubrication Speed	7000 r/min

B-2-1/2-5 Bearing 2D drawings and 3D CAD models