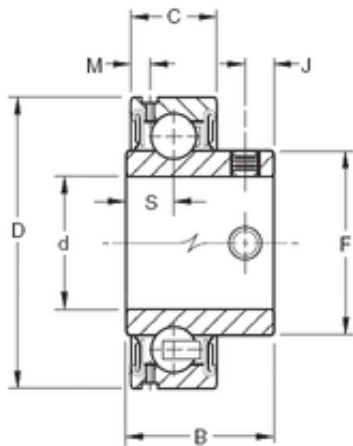




BEARING MANUFACTURING DE MEXICO, S.A.D...



35 mm x 72 mm x 36,5 mm Timken
GYAE35RR deep groove ball bearings

Bearing No. GYAE35RR

Size	35x72x36.5 mm
Bore Diameter	35 mm
Outer Diameter	72 mm
Width	36,5 mm
d	35 mm
D	72 mm
B	36,5 mm
C	19 mm
F	46,8 mm
J	7,87 mm
M	3,68 mm
S	10,85 mm
Thread (G)	M8X1,25
Weight	0,42 Kg
Basic dynamic load rating (C)	28,5 kN

GYAE35RR Bearing 2D drawings and 3D CAD models