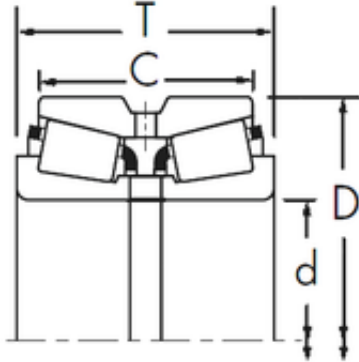




**Timken EE128111/128160CD+X2S-128111  
tapered roller bearings**



Bearing No. EE128111/128160CD+X2S-128111

Size	280.192x406.4x149.225 mm
Bore Diameter	280,192 mm
Outer Diameter	406,4 mm
Width	149,225 mm
d	280,192 mm
D	406,4 mm
T	149,225 mm
C	117,475 mm
R	6,8 mm
r	1,5 mm

EE128111/128160CD+X2S-128111 Bearing 2D drawings  
and 3D CAD models