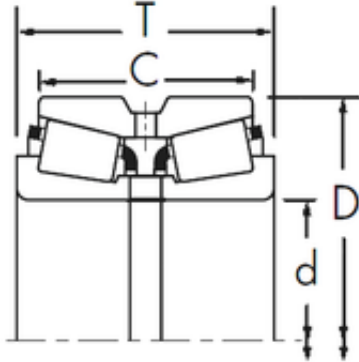




Timken 55197/55433D+X1S-55197 tapered roller bearings



Bearing No. 55197/55433D+X1S-55197

Size	49.975x109.982x63.5 mm
Bore Diameter	49,975 mm
Outer Diameter	109,982 mm
Width	63,5 mm
d	49,975 mm
D	109,982 mm
T	63,5 mm
C	42,865 mm
R	2 mm
r	0,5 mm

55197/55433D+X1S-55197 Bearing 2D drawings and 3D CAD models