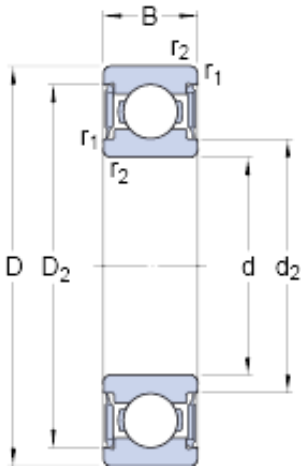




BEARING MANUFACTURING DE MEXICO, S.A.D...



8 mm x 14 mm x 4 mm SKF WBB1-8708-2RS1
deep groove ball bearings

Bearing No. WBB1-8708-2RS1

WBB1-8708-2RS1 Bearing 2D drawings and 3D CAD models

Size	14x8x4 mm
Bore Diameter	14 mm
Outer Diameter	8 mm
Width	4 mm
d	8 mm
D	14 mm
B	4 mm
d ₂	9.26 mm
D ₂	12.8 mm
r _{1,2} - min.	0.15 mm
d _a - min.	8.9 mm
d _a - max.	9.2 mm
D _a - max.	12.9 mm
r _a - max.	0.15 mm
Basic dynamic load rating - C	0.364 kN
Basic static load rating - C ₀	0.053 kN
Fatigue load limit - P _u	0.002 kN
Limiting speed	28000 r/min
Calculation factor - k _r	0.015
Calculation factor - f ₀	2.1
d ₂	9.26 mm
D ₂	12.78 mm
r _{1,2} min.	0.15 mm
d _a min.	8.9 mm



BEARING MANUFACTURING DE MEXICO,S.A.D...

d_a max.	9.2 mm
D_a max.	12.9 mm
r_a max.	0.15 mm
Basic dynamic load rating C	0.462 kN
Basic static load rating C_0	0.193 kN
Fatigue load limit P_u	0.002 kN
Calculation factor k_r	0.015
Calculation factor f_0	7.8
Mass bearing	0.002 kg