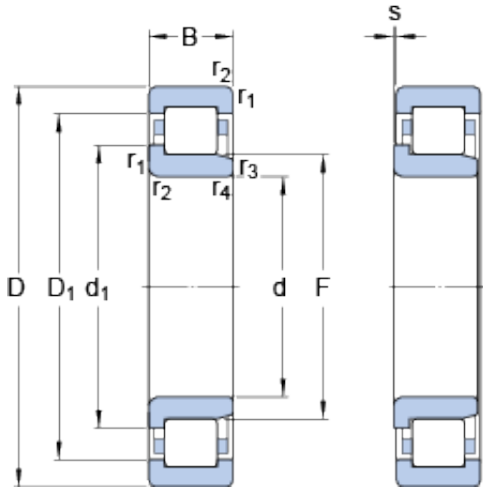




BEARING MANUFACTURING DE MEXICO, S.A.D...



190 mm x 340 mm x 55 mm SKF NJ 238 ECM
thrust ball bearings

Bearing No. NJ 238 ECM

NJ 238 ECM Bearing 2D drawings and 3D CAD models

Size	340x190x55 mm
Bore Diameter	340 mm
Outer Diameter	190 mm
Width	55 mm
d	190 mm
D	340 mm
B	55 mm
d ₁	244 mm
D ₁	293.8 mm
F	230 mm
r _{1,2} - min.	4 mm
r _{3,4} - min.	4 mm
s	3 mm
d _a - min.	207 mm
d _a - max.	226 mm
d _b - min.	248 mm
D _a - max.	321.9 mm
r _a - max.	3 mm
Basic dynamic load rating - C	800 kN
Basic static load rating - C ₀	965 kN
Fatigue load limit - P _u	98 kN
Reference speed	2000 r/min
Limiting speed	3400 r/min
Calculation factor - k _r	0.15



BEARING MANUFACTURING DE MEXICO,S.A.D...

d_1	244 mm
D_1	293.8 mm
$r_{1,2}$ min.	4 mm
$r_{3,4}$ min.	4 mm
s max.	3 mm
d_a min.	207 mm
d_a max.	226 mm
d_b min.	248 mm
D_a max.	321.9 mm
r_a max.	3 mm
Basic dynamic load rating C	800 kN
Basic static load rating C_0	965 kN
Fatigue load limit P_u	98 kN
Calculation factor k_r	0.15
Limiting value e	0.2
Axial load factor Y	0.6
Mass bearing	23.3 kg