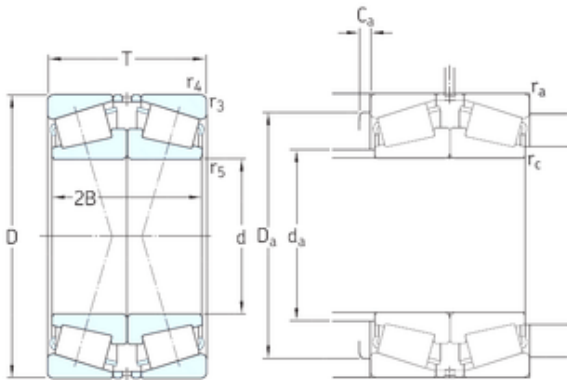




BEARING MANUFACTURING DE MEXICO, S.A.D...



180 mm x 280 mm x 64 mm SKF 32036X/DF tapered roller bearings

Bearing No. 32036X/DF

32036X/DF Bearing 2D drawings and 3D CAD models

Size	180x280x128 mm
Bore Diameter	180 mm
Outer Diameter	280 mm
Width	128 mm
d	180 mm
D	280 mm
T	128 mm
B	64 mm
r3 min.	2,5 mm
r4 min.	2,5 mm
r5 min.	1 mm
2B	128 mm
Ca max.	10 mm
da max	199 mm
Da min	247 mm
Da max.	266 mm
ra max.	2 mm
rc max.	1 mm
Weight	29,5 Kg
Basic dynamic load rating (C)	1100 kN
Basic static load rating (C0)	2320 kN
Fatigue load limit (Pu)	220
Reference speed	1300 r/min
Limiting speed	2000 r/min
Calculation factor (e)	0,43



BEARING MANUFACTURING DE MEXICO,S.A.D...

Calculation factor (Y0)	1,6
Calculation factor (Y1)	1,6