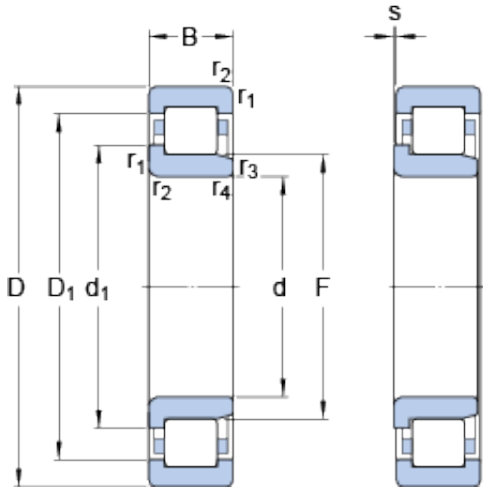




BEARING MANUFACTURING DE MEXICO, S.A.D...



40 mm x 80 mm x 18 mm SKF NJ 208 ECJ
thrust ball bearings

Bearing No. NJ 208 ECJ

NJ 208 ECJ Bearing 2D drawings and 3D CAD models

Size	80x40x18 mm
Bore Diameter	80 mm
Outer Diameter	40 mm
Width	18 mm
d	40 mm
D	80 mm
B	18 mm
d ₁	54 mm
D ₁	67.4 mm
F	49.5 mm
r _{1,2} - min.	1.1 mm
r _{3,4} - min.	1.1 mm
s	1.4 mm
d _a - min.	47 mm
d _a - max.	48 mm
d _b - min.	56 mm
D _a - max.	72.8 mm
r _a - max.	1 mm
Basic dynamic load rating - C	62 kN
Basic static load rating - C ₀	53 kN
Fatigue load limit - P _u	6.7 kN
Reference speed	9500 r/min
Limiting speed	11000 r/min
Calculation factor - k _r	0.15



BEARING MANUFACTURING DE MEXICO, S.A.D...

Category	Cylindrical Roller Bearings
Inventory	0.0
Manufacturer Name	SKF
Minimum Buy Quantity	N/A
Weight / Kilogram	0.404
Product Group	B04144
Bore Profile	Straight
Cage Material	Steel
Precision Class	RBEC 1 ISO P0
Number of Rows of Rollers	Single Row
Separable	Inner Ring - One Side
Rolling Element	Cylindrical Roller Bearing
Profile	Complete with Outer and Inner Ring
Snap Ring	No
Internal Clearance	C0-Medium
Retainer	Yes
Relubricatable	Yes
Inch - Metric	Metric
Other Features	High Capacity 1 Rib Inner Ring 2 Rib Outer Ring Cage on Outer Ring ID
Long Description	40MM Bore; Straight Bore Profile; 80MM Outside Diameter; 18MM Width; Steel Cage Material; RBEC 1 ISO P0; Single Row; Inner Ring - One Side Separable; No Snap Ring; Relubricatable; C0-Medium Intern
Category	Cylindrical Roller Bearing
UNSPSC	31171547
Harmonized Tariff Code	8482.50.00.00
Noun	Bearing
Manufacturer URL	http://www.skf.com



BEARING MANUFACTURING DE MEXICO, S.A.D...

Manufacturer Item Number	NJ 208 ECJ
Weight / LBS	0.89
Outside Diameter	3.15 Inch 80 Millimeter
Bore	1.575 Inch 40 Millimeter
Width	0.709 Inch 18 Millimeter
bore diameter:	40 mm
static load capacity:	53 kN
outside diameter:	80 mm
precision rating:	Not Rated
overall width:	18 mm
maximum rpm:	11000 RPM
flanges:	(2) Outer Ring, (1) Inner Ring
bearing material:	Steel
bore type:	Straight
cage material:	Steel
number of rows:	1
finish/coating:	Uncoated
internal clearance:	C0
closure type:	Open
ring separation:	Separable Ring
outer ring width:	18 mm
operating temperature range:	Maximum of +300 ° F
fillet radius:	1 mm
dynamic load capacity:	62 kN
series:	NJ2
d_1	54 mm
D_1	67.4 mm
$r_{1,2}$ min.	1.1 mm
$r_{3,4}$ min.	1.1 mm
s max.	1.4 mm
d_a min.	47 mm



BEARING MANUFACTURING DE MEXICO,S.A.D...

d_a max.	48 mm
d_b min.	56 mm
D_a max.	72.8 mm
r_a max.	1 mm
Basic dynamic load rating C	62 kN
Basic static load rating C_0	53 kN
Fatigue load limit P_u	6.7 kN
Calculation factor k_r	0.15
Limiting value e	0.2
Axial load factor Y	0.6
Mass bearing	0.39 kg