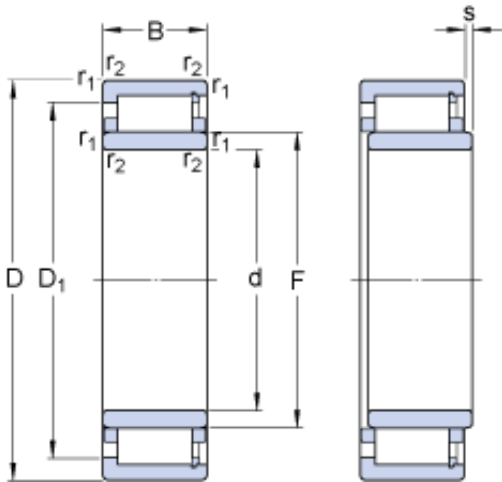




BEARING MANUFACTURING DE MEXICO, S.A.D...



130 mm x 230 mm x 64 mm SKF NUH 2226 ECMH cylindrical roller bearings

Bearing No. NUH 2226 ECMH

NUH 2226 ECMH Bearing 2D drawings and 3D CAD models

Size	230x130x64 mm
Bore Diameter	230 mm
Outer Diameter	130 mm
Width	64 mm
d	130 mm
D	230 mm
B	64 mm
D ₁	200.3 mm
F	153.5 mm
s	2.6 mm
r _{1,2} - min.	3 mm
d _a - min.	144 mm
d _a - max.	150 mm
d _b - min.	157 mm
D _a - min.	205 mm
D _a - max.	215.4 mm
r _a - max.	2.5 mm
Basic dynamic load rating - C	630 kN
Basic static load rating - C ₀	780 kN
Fatigue load limit - P _u	88 kN
Reference speed	3200 r/min
Limiting speed	3800 r/min
Calculation factor - k _r	0.16
D ₁	200.3 mm



BEARING MANUFACTURING DE MEXICO,S.A.D...

s max.	2.6 mm
$r_{1,2}$ min.	3 mm
d_a min.	144 mm
d_a max.	150 mm
d_b min.	157 mm
D_a min.	205 mm
D_a max.	215.4 mm
r_a max.	2.5 mm
Basic dynamic load rating C	630 kN
Basic static load rating C_0	780 kN
Fatigue load limit P_u	88 kN
Calculation factor k_r	0.16
Mass bearing	11 kg