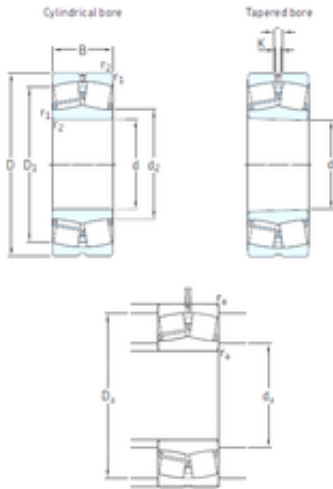




BEARING MANUFACTURING DE MEXICO, S.A.D...



60 mm x 130 mm x 31 mm SKF 21312EK
spherical roller bearings

Bearing No. 21312EK

Size	60x130x31 mm
Bore Diameter	60 mm
Outer Diameter	130 mm
Width	31 mm
d	60 mm
D	130 mm
B	31 mm
C	31 mm
b	6 mm
d2	87,8 mm
r1 min.	2,1 mm
r2 min.	2,1 mm
D1	115 mm
K	3 mm
da min.	72 mm
Da max.	118 mm
ra max.	2 mm
Weight	2,1 Kg
Basic dynamic load rating (C)	212 kN
Basic static load rating (C0)	240 kN
Fatigue load limit (Pu)	26,5
Reference speed	4800 r/min
Limiting speed	6300 r/min
Calculation factor (e)	0,22
Calculation factor (Y0)	2,8

21312EK Bearing 2D drawings and 3D CAD models



BEARING MANUFACTURING DE MEXICO,S.A.D...

Calculation factor (Y1)	
-------------------------	--

	3
--	---