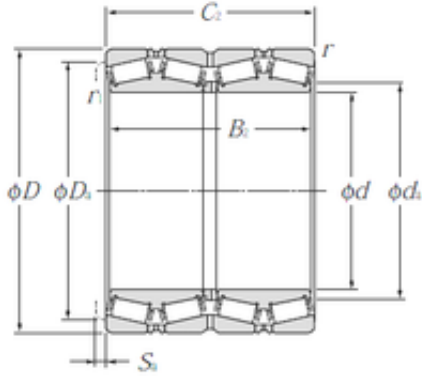




200 mm x 282 mm x 206 mm NTN E-625940 tapered roller bearings



Bearing No. E-625940

Size	200x282x206 mm
Bore Diameter	200 mm
Outer Diameter	282 mm
Width	206 mm
d	200 mm
D	282 mm
B	206 mm
C	206 mm
r min.	2,5 mm
r1 min.	3 mm
Da	258 mm
da	219,5 mm
Sa	6 mm
Weight	40,5 Kg
Basic dynamic load rating (C)	1 200 kN

E-625940 Bearing 2D drawings and 3D CAD models