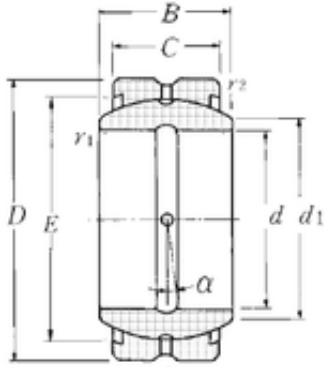




BEARING MANUFACTURING DE MEXICO, S.A.D...

45 mm x 68 mm x 32 mm NTN SA1-45B plain bearings



Bearing No. SA1-45B

SA1-45B Bearing 2D drawings and 3D CAD models

Size	45x68x32 mm
Bore Diameter	45 mm
Outer Diameter	68 mm
Width	32 mm
d	45 mm
D	68 mm
B	32 mm
C	25 mm
d1	50,8 mm
r1 min.	0,6 mm
r2 min.	1 mm
E	59,9 mm
Angle	7 °
Weight	0,413 Kg
Category	Plain Bearings
Inventory	0.0
Manufacturer Name	NTN
Minimum Buy Quantity	N/A
Weight / Kilogram	0.4
EAN	4547359180305
Product Group	B04264
bore diameter:	45 mm
overall width:	32 mm
outside diameter:	68 mm
bore type:	Round



BEARING MANUFACTURING DE MEXICO,S.A.D...

closure type:	Open
manufacturer upc number:	4547359180305