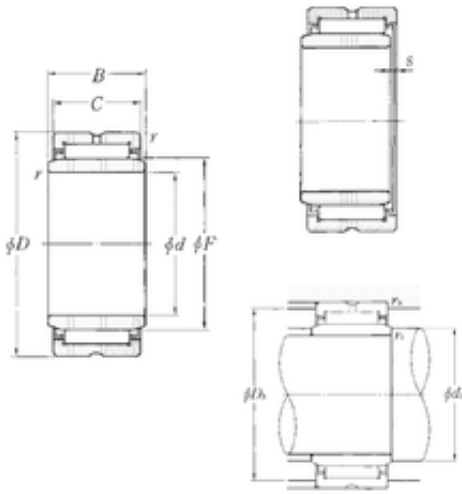




BEARING MANUFACTURING DE MEXICO, S.A.D...



41,275 mm x 65,088 mm x 25,65 mm NTN
MR324116+MI-263216 needle roller bearings

Bearing No. MR324116+MI-263216

Size	41.275x65.088x25.65 mm
Bore Diameter	41,275 mm
Outer Diameter	65,088 mm
Width	25,65 mm
d	41,275 mm
F	50,8 mm
D	65,088 mm
B	25,65 mm
C	25,4 mm
r min.	1,5 mm
s	0,5 mm
da min.	48 mm
Da max.	58,5 mm
ra max.	1,5 mm
Weight	0,317 Kg
Basic dynamic load rating (C)	49,5 kN
Basic static load rating (C0)	86 kN
(Grease) Lubrication Speed	5 500 r/min

MR324116+MI-263216 Bearing 2D drawings and 3D CAD models