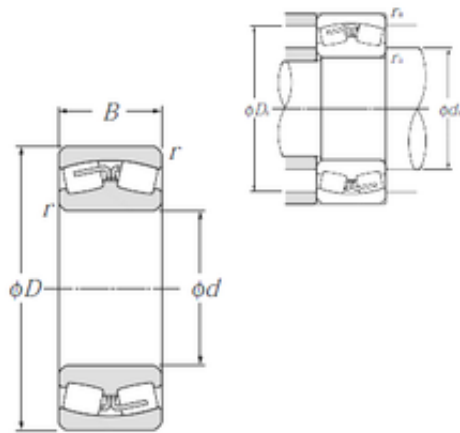




**420 mm x 760 mm x 272 mm NTN 23284B  
spherical roller bearings**



Bearing No. 23284B

Size	420x760x272 mm
Bore Diameter	420 mm
Outer Diameter	760 mm
Width	272 mm
d	420 mm
D	760 mm
B	272 mm
C	272 mm
r min.	7,5 mm
da min.	456 mm
Da max.	724 mm
ra max.	6 mm
Weight	544 Kg
Basic dynamic load rating (C)	6 550 kN
Basic static load rating (C0)	12 000 kN
(Grease) Lubrication Speed	380 r/min
(Oil) Lubrication Speed	490 r/min
Calculation factor (e)	0,36
Calculation factor (Y0)	1,82
Calculation factor (Y1)	1,86

23284B Bearing 2D drawings and 3D CAD models