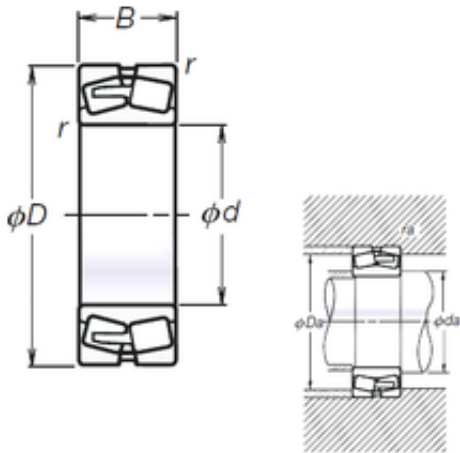




# BEARING MANUFACTURING DE MEXICO, S.A.D...



180 mm x 280 mm x 74 mm NSK  
TL23036CDE4 spherical roller bearings

Bearing No. TL23036CDE4

Size	180x280x74 mm
Bore Diameter	180 mm
Outer Diameter	280 mm
Width	74 mm
d	180 mm
D	280 mm
B	74 mm
C	74 mm
r min.	2,1 mm
da min.	192 mm
da max	202 mm
Da min	268 mm
Da max.	249 mm
ra max.	2 mm
Weight	17,1 Kg
Basic dynamic load rating (C)	750 kN
Basic static load rating (C0)	1270 kN
(Grease) Lubrication Speed	1 200 r/min
(Oil) Lubrication Speed	1 400 r/min
Calculation factor (e)	0,24
Calculation factor (Y0)	2,8
Calculation factor (Y2)	4,2

TL23036CDE4 Bearing 2D drawings and 3D CAD models