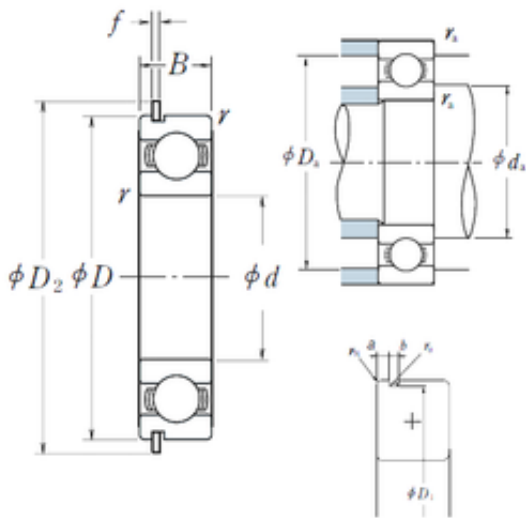




BEARING MANUFACTURING DE MEXICO, S.A.D...



20 mm x 37 mm x 9 mm NSK 6904NR deep groove ball bearings

Bearing No. 6904NR

6904NR Bearing 2D drawings and 3D CAD models

Size	20x37x9 mm
Bore Diameter	20 mm
Outer Diameter	37 mm
Width	9 mm
d	20 mm
D	37 mm
B	9 mm
C	9 mm
rn	0,3 mm
a	1,7 mm
b	0,95 mm
f	0,85 mm
r min.	0,3 mm
r0 max.	0,25 mm
D1	35,7 mm
D2	39,8 mm
da min.	22 mm
da max	24 mm
Da max.	35 mm
ra max.	0,3 mm
Weight	0,037 Kg
Basic dynamic load rating (C)	6,4 kN
Basic static load rating (C0)	3,7 kN
(Grease) Lubrication Speed	19 000 r/min
(Oil) Lubrication Speed	22 000 r/min



BEARING MANUFACTURING DE MEXICO,S.A.D...

SRI	2.46
hidYobi	6904NR
LangID	1
ro	0.25
D_	37
SREX	0.015
B_	9
da min	22
hidTable	ecat_NSRDGB
Oil rpm	22000
SRE	2.46
Cy	2.3
mass	0.037
GRS rpm	19000
ra	0.3
SRIX	0.015
D_a	35
SRIN	-0.015
C0	3.7
fo	14.7
SREN	-0.015
DE_	33.262
Prod_Type3	DGBB_SR_NR_OT
DA_	4.762
bomp	0
Z_	11
yobi	6904NR
Dx	40.5
C_conv	6400
ALPHA_	0
SDM_	28.5
r	0.3



BEARING MANUFACTURING DE MEXICO,S.A.D...

KBRG	6101
SBRG	19
DI_	23.738