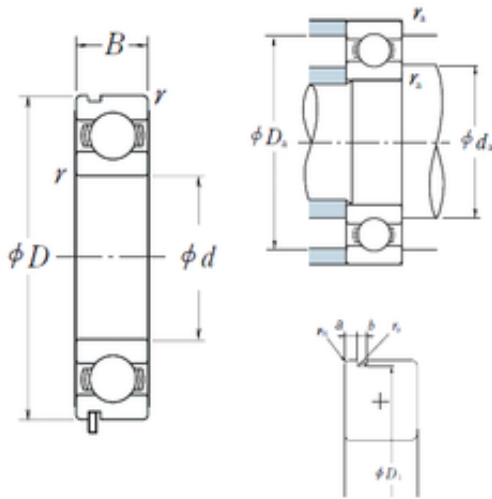




# BEARING MANUFACTURING DE MEXICO, S.A.D...



30 mm x 62 mm x 16 mm NSK 6206N deep groove ball bearings

Bearing No. 6206N

6206N Bearing 2D drawings and 3D CAD models

Size	30x62x16 mm
Bore Diameter	30 mm
Outer Diameter	62 mm
Width	16 mm
d	30 mm
D	62 mm
B	16 mm
C	16 mm
rn	0,5 mm
a	3,28 mm
b	1,9 mm
r min.	1 mm
r0 max.	0,6 mm
D1	59,61 mm
da min.	35 mm
da max	38,5 mm
Da max.	57 mm
ra max.	1 mm
Weight	0,199 Kg
Basic dynamic load rating (C)	19,5 kN
Basic static load rating (C0)	11,3 kN
(Grease) Lubrication Speed	11 000 r/min
(Oil) Lubrication Speed	13 000 r/min
SRI	4.81
hidYobi	6206N



## BEARING MANUFACTURING DE MEXICO,S.A.D...

LangID	1
ro	0.6
D_	62
SREX	0.04
B_	16
da min	35
hidTable	ecat_NSRDGB
Oil rpm	13000
SRE	5
mass	0.199
GRS rpm	11000
ra	1
SRIX	0.02
D_a	57
SRIN	0
C0	11.3
fo	13.8
SREN	0
DE_	56.025
Prod_Type3	DGBB_SR_N_OT
DA_	9.525
bomp	0
Z_	9
yobi	6206N
C_conv	19500
ALPHA_	0
SDM_	46.5
r	1
KBRG	6101
SBRG	2
DI_	36.975