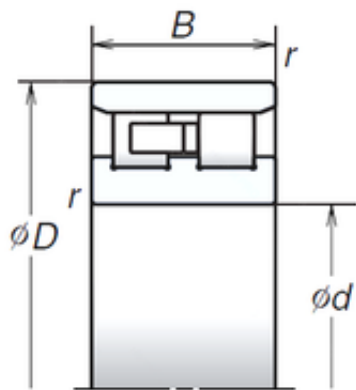




BEARING MANUFACTURING DE MEXICO, S.A.D...



*Cylindrical Bore

110 mm x 170 mm x 45 mm NSK NN3022MB cylindrical roller bearings

Bearing No. NN3022MB

Size	110x155x45 mm
Bore Diameter	110 mm
Outer Diameter	155 mm
Width	45 mm
d	110 mm
D	170 mm
E	155 mm
B	45 mm
C	45 mm
r min.	2 mm
Weight	3,71 Kg
Basic dynamic load rating (C)	222 kN
Basic static load rating (C0)	360 kN
(Grease) Lubrication Speed	5 400 r/min

NN3022MB Bearing 2D drawings and 3D CAD models