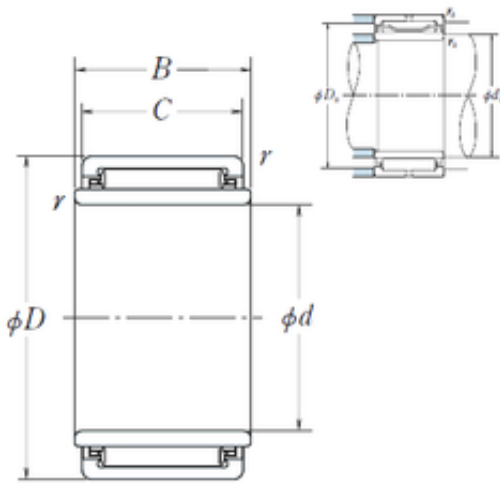




BEARING MANUFACTURING DE MEXICO, S.A.D...



22 mm x 35 mm x 25,2 mm NSK LM2825
needle roller bearings

Bearing No. LM2825

LM2825 Bearing 2D drawings and 3D CAD models

Size	22x35x25.2 mm
Bore Diameter	22 mm
Outer Diameter	35 mm
Width	25,2 mm
d	22 mm
Fw	28 mm
D	35 mm
B	25,2 mm
C	25 mm
r min.	0,5 mm
da min.	26 mm
Da max.	31 mm
ra max.	0,5 mm
Weight	0,092 Kg
Basic dynamic load rating (C)	23,9 kN
Basic static load rating (C0)	42 kN
(Grease) Lubrication Speed	7500 r/min
hidYobi	LM2825
LangID	1
D_	35
B_	25.2
hidTable	ecat_NSMRNR
GRS rpm	7500
ra	0.5
da_min	26



BEARING MANUFACTURING DE MEXICO,S.A.D...

d2	22
C0	42
C1_	25
DE_	33
SLR	19.8
Prod_Type3	NRB_S_LM
DA_	2.5
Z_	22
SI	28
yobi	LM2825
da_max	31
OIL rpm	12000
SDM_	30.5
r	0.5
KBRG	8352
mass2	0.092
B1	25.2