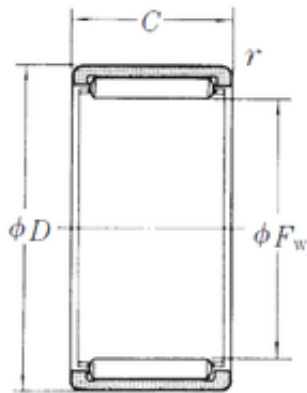




**NSK RLM101716-1 needle roller bearings**



Bearing No. RLM101716-1

Size	10x17x16 mm
Bore Diameter	10 mm
Outer Diameter	17 mm
Width	16 mm
Fw	10 mm
D	17 mm
C	16 mm
r min.	0,15 mm
Weight	0,013 Kg
Basic dynamic load rating (C)	8,65 kN
Basic static load rating (C0)	8,6 kN

RLM101716-1 Bearing 2D drawings and 3D CAD models