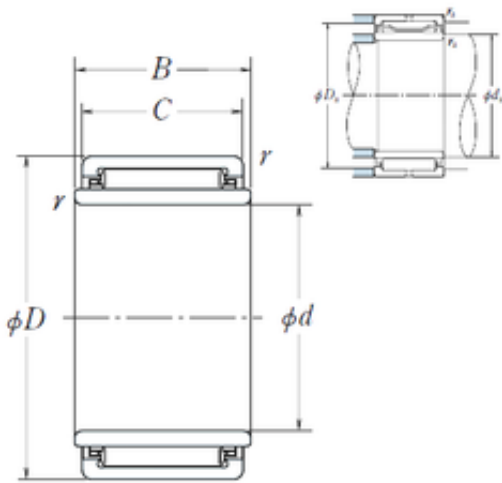




BEARING MANUFACTURING DE MEXICO, S.A.D...



17 mm x 30 mm x 20,2 mm NSK LM223020
needle roller bearings

Bearing No. LM223020

LM223020 Bearing 2D drawings and 3D CAD models

Size	17x30x20.2 mm
Bore Diameter	17 mm
Outer Diameter	30 mm
Width	20,2 mm
d	17 mm
Fw	22 mm
D	30 mm
B	20,2 mm
C	20 mm
r min.	0,5 mm
da min.	21 mm
Da max.	26 mm
ra max.	0,5 mm
Weight	0,06 Kg
Basic dynamic load rating (C)	20 kN
Basic static load rating (C0)	27,2 kN
(Grease) Lubrication Speed	10000 r/min
hidYobi	LM223020
LangID	1
D_	30
B_	20.2
hidTable	ecat_NSMRNR
GRS rpm	10000
ra	0.5
da_min	21



BEARING MANUFACTURING DE MEXICO,S.A.D...

d2	17
C0	27.2
C1_	20
DE_	28
SLR	15.8
Prod_Type3	NRB_S_LM
DA_	3
Z_	16
SI	22
yobi	LM223020
da_max	26
OIL rpm	16000
SDM_	25
r	0.5
KBRG	8352
mass2	0.06
B1	20.2