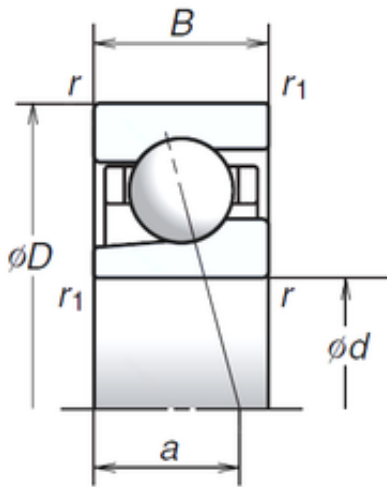




BEARING MANUFACTURING DE MEXICO, S.A.D...



15 mm x 32 mm x 9 mm NSK 15BGR10H
angular contact ball bearings

Bearing No. 15BGR10H

Size	15x32x9 mm
Bore Diameter	15 mm
Outer Diameter	32 mm
Width	9 mm
d	15 mm
D	32 mm
B	9 mm
C	9 mm
Angle ()	15 °
a	7,6 mm
r min.	0,3 mm
r1 min.	0,15 mm
Weight	0,026 Kg
Basic dynamic load rating (C)	4,2 kN
Basic static load rating (C0)	1,72 kN
(Grease) Lubrication Speed	80 900 r/min
(Oil) Lubrication Speed	120 000 r/min

15BGR10H Bearing 2D drawings and 3D CAD models