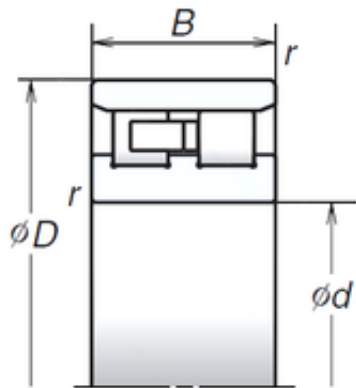




# BEARING MANUFACTURING DE MEXICO, S.A.D...



\*Cylindrical Bore

180 mm x 250 mm x 52 mm NSK NN3936MB  
cylindrical roller bearings

Bearing No. NN3936MB

Size	180x232x52 mm
Bore Diameter	180 mm
Outer Diameter	232 mm
Width	52 mm
d	180 mm
D	250 mm
E	232 mm
B	52 mm
C	52 mm
r min.	2 mm
Weight	7,76 Kg
Basic dynamic load rating (C)	340 kN
Basic static load rating (C0)	0 655 kN
(Grease) Lubrication Speed	3 500 r/min

NN3936MB Bearing 2D drawings and 3D CAD models