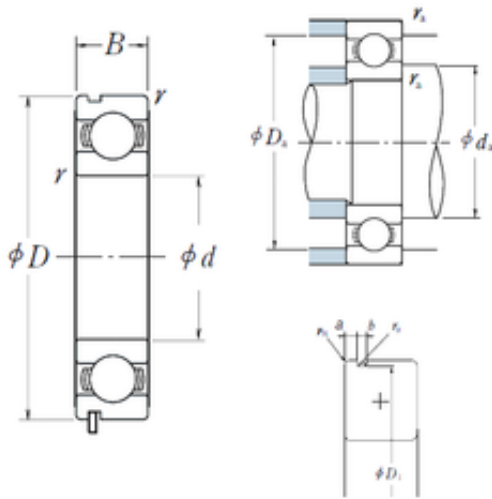




BEARING MANUFACTURING DE MEXICO, S.A.D...



75 mm x 160 mm x 37 mm NSK 6315N deep groove ball bearings

Bearing No. 6315N

6315N Bearing 2D drawings and 3D CAD models

Size	75x160x37 mm
Bore Diameter	75 mm
Outer Diameter	160 mm
Width	37 mm
d	75 mm
D	160 mm
B	37 mm
C	37 mm
rn	0,5 mm
a	4,9 mm
b	3,1 mm
r min.	2,1 mm
r0 max.	0,6 mm
D1	155,22 mm
da min.	86 mm
da max	98,5 mm
Da max.	149 mm
ra max.	2 mm
Weight	3,08 Kg
Basic dynamic load rating (C)	113 kN
Basic static load rating (C0)	77 kN
(Grease) Lubrication Speed	4 300 r/min
(Oil) Lubrication Speed	5 000 r/min
SRI	13.97
hidYobi	6315N



BEARING MANUFACTURING DE MEXICO,S.A.D...

LangID	1
ro	0.6
D_	160
SREX	0.05
B_	37
da min	86
hidTable	ecat_NSRDGB
Oil rpm	5000
SRE	13.97
mass	3.08
GRS rpm	4300
ra	2
SRIX	0.05
D_a	149
SRIN	-0.05
C0	77
fo	13.2
SREN	-0.05
DE_	144.488
Prod_Type3	DGBB_SR_N_OT
DA_	26.988
bomp	0
Z_	8
yobi	6315N
C_conv	113000
ALPHA_	0
SDM_	117.5
r	2.1
KBRG	6101
SBRG	3
DI_	90.512