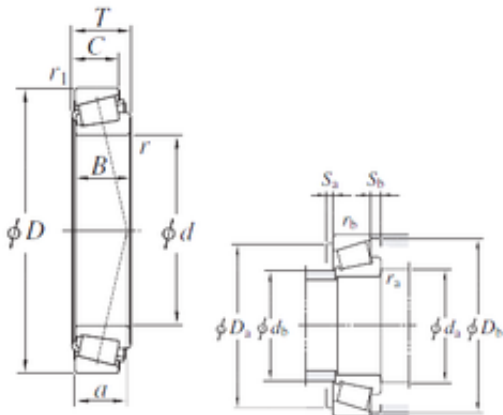




BEARING MANUFACTURING DE MEXICO, S.A.D...

300 mm x 460 mm x 100 mm KOYO 32060JR tapered roller bearings

Bearing No. 32060JR



32060JR Bearing 2D drawings and 3D CAD models

Size	300x460x100 mm
Bore Diameter	300 mm
Outer Diameter	460 mm
Width	100 mm
d	300 mm
D	460 mm
T	100 mm
B	100 mm
C	74 mm
a	97,9 mm
r min.	5 mm
r1 min.	4 mm
r2 min.	4 mm
da min.	322 mm
da max	329 mm
Da min	404 mm
Da max.	442 mm
db max.	329 mm
Db min.	439 mm
ra max.	4 mm
rb max.	3 mm
Db	439 mm
Weight	57,5 Kg
Basic dynamic load rating (C)	1430 kN
Basic static load rating (C0)	2660 kN



BEARING MANUFACTURING DE MEXICO,S.A.D...

(Grease) Lubrication Speed	640 r/min
(Oil) Lubrication Speed	850 r/min
Calculation factor (e)	0,43
Calculation factor (Y0)	0,76
Bearing No.	32060JR
r(min)	5
r1(min)	4
Cr	1800
C0r	2660
Cu	263
Grease lub.	640
Oil lub.	850
a	97.9 mm
da(min)	322
db(max)	329
Da(max)	442
Da(min)	404
Db(min)	439
Sa(min)	15
Sb(min)	26
ra(max)	4
rb(max)	3
e	0.43
Y1	1.38
Y0	0.76
(Refer.)Mass(kg)	57.5