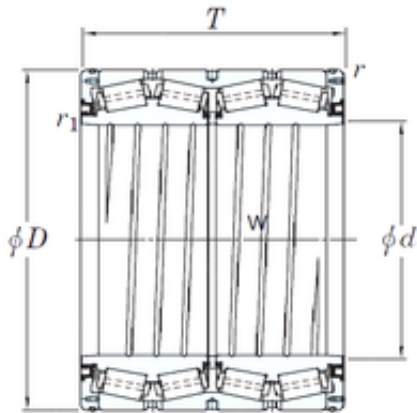




**KOYO 4TRS610A tapered roller bearings**



Bearing No. 4TRS610A

Size	609.6x813.562x540 mm
Bore Diameter	609,6 mm
Outer Diameter	813,562 mm
Width	540 mm
d	609,6 mm
D	813,562 mm
T	540 mm
r min.	6,4 mm
r1 min.	1,5 mm
W	540 mm
Weight	775 Kg
Basic dynamic load rating (C)	10200 kN
Basic static load rating (C0)	28500 kN
Calculation factor (e)	0,33
Calculation factor (Y2)	2,03

4TRS610A Bearing 2D drawings and 3D CAD models