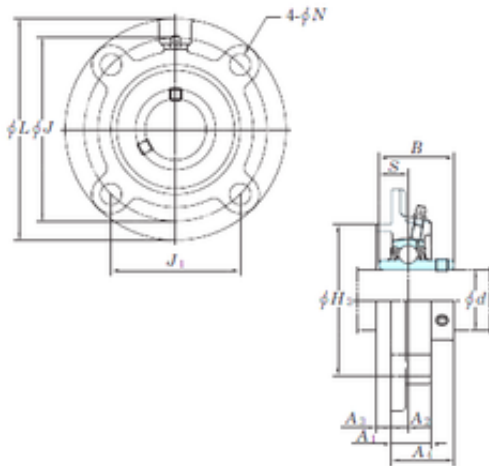




**KOYO UCFCX16E bearing units**



Bearing No. UCFCX16E

Bore Diameter	80 mm
d	80 mm
H3	187,325 mm
A4	61,6 mm
A1	36 mm
B	85,7 mm
J	219 mm
L	260 mm
N	23 mm
S	34,1 mm
Bolt (G)	M20
A2	10 mm
A3	25 mm
J1	154,8 mm
Weight	11,3 Kg
Basic dynamic load rating (C)	84 kN
Basic static load rating (C0)	61,9 kN

UCFCX16E Bearing 2D drawings and 3D CAD models