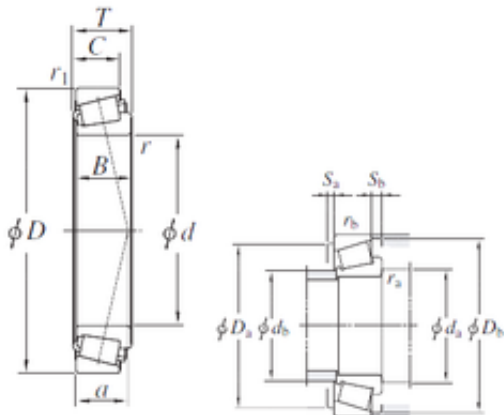




BEARING MANUFACTURING DE MEXICO, S.A.D...

152,4 mm x 307,975 mm x 93,663 mm KOYO
HH234048/HH234010 tapered roller bearings



Bearing No. HH234048/HH234010

HH234048/HH234010 Bearing 2D drawings and 3D CAD models

Size	152.4x307.975x88.9 mm
Bore Diameter	152,4 mm
Outer Diameter	307,975 mm
Width	88,9 mm
d	152,4 mm
D	307,975 mm
T	88,9 mm
B	93,663 mm
C	66,675 mm
a	63,3 mm
r min.	9,5 mm
r1 min.	6,7 mm
da min.	177 mm
Da min	270 mm
Da max.	289 mm
db max.	191 mm
ra max.	9,5 mm
rb max.	6,7 mm
Db	285 mm
Weight	29,4 Kg
Basic dynamic load rating (C)	1020 kN
Basic static load rating (C0)	1450 kN
Calculation factor (e)	0,33
Calculation factor (Y0)	1,01