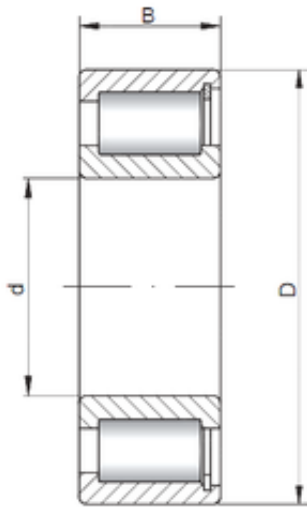




BEARING MANUFACTURING DE MEXICO, S.A.D...



480 mm x 650 mm x 100 mm ISO NCF2996 V
cylindrical roller bearings

Bearing No. NCF2996 V

Size	480x650x100 mm
Bore Diameter	480 mm
Outer Diameter	650 mm
Width	100 mm
d	480 mm
D	650 mm
B	100 mm
C	100 mm

NCF2996 V Bearing 2D drawings and 3D CAD models